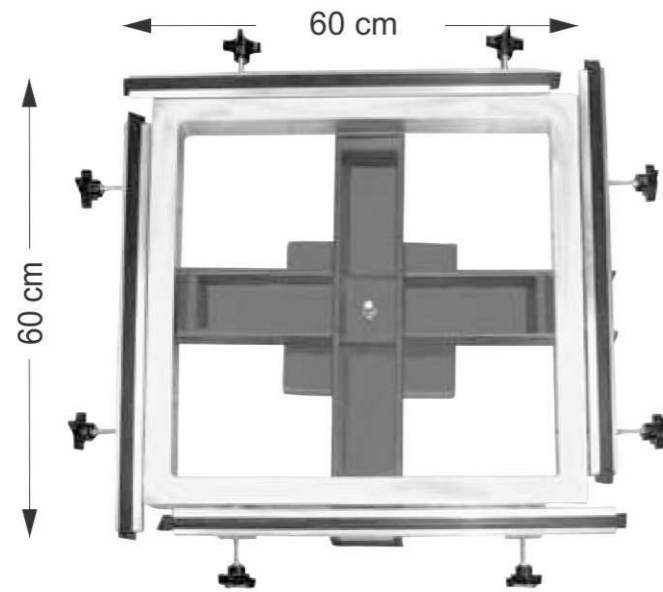
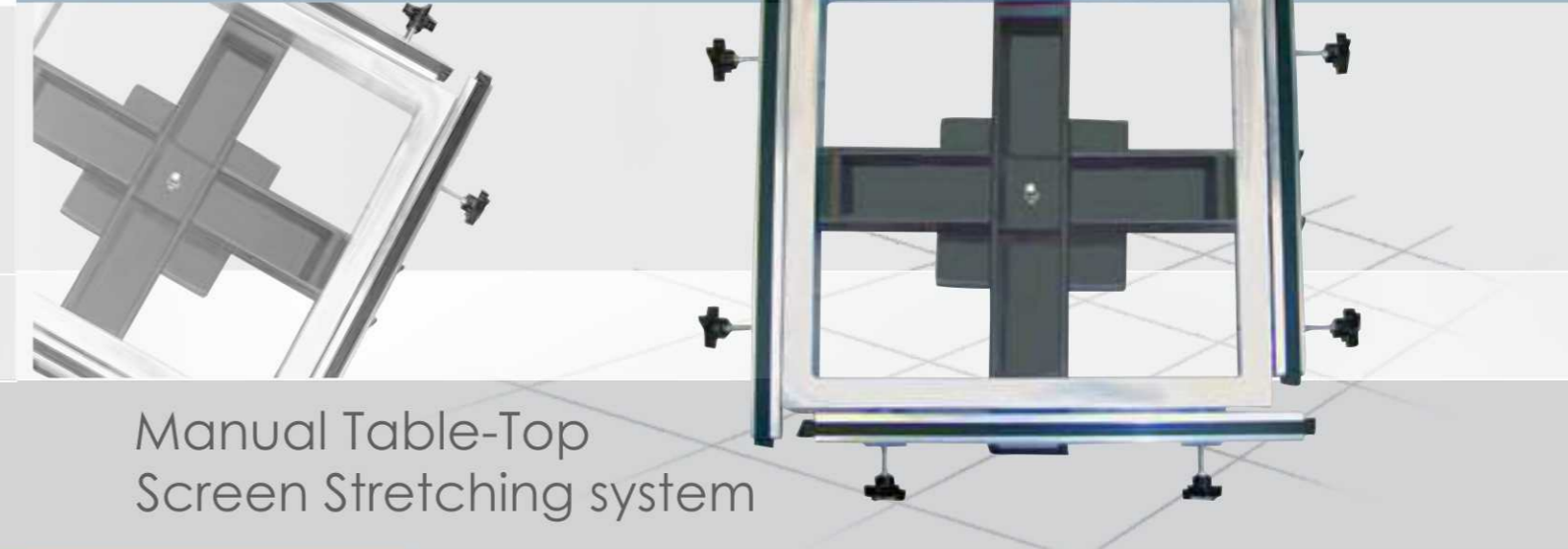


EASY-STRETCH™
Moving Ahead
With Technology



Access to Printing Solutions



Manual Table-Top Screen Stretching system

Features

- Unit assembles and sets up in minutes
- Flexible inserts secure mesh during operation and allow easy softening of corners to prevent tearing
- Each model is adjustable to handle a range of frame size up to the recommended maximum
- Compatible with standard mesh-to-frame adhesion methods
- Tension Quick option allows increase of speed and accuracy, while reducing operator labor
- Stretches up to 20-25 newtons (N)
- Sizes up to 76" (193 cm); larger, custom sizes are available

The Easy-Stretch is a sensibly priced, all-mechanical screen fabric stretching system, designed to save time and money for printers currently buying ready-made screen from outside suppliers. Compatible with metal or wooden frames and any standard fastening method you choose, the Easy-Stretch system is reliable and easy to use.

For extra speed, choose the swivel base and tension Quick Knob options. tension Quick Knobs allow you to manually stretch screens using a low-cost electrical torque wrench.

Each model adjusts easily to accommodate a wide range of screen size. Maximum screen tension is up to 20-25 N (20 N on units more than 36 x 36" (91.4 x 91.4 cm), depending on the mesh count and other factors).



Regular Knobs



Shown with
optional Tension
Quick Knobs

Even if you have never stretched a screen before,
you will be able to achieve professional results quickly and easily.

Sepas F.Z.C

No 18, Block D, Ajman Free Zone P.O.Box: 21009, Ajman, UAE

Tel: +971 (0)6 7447852 Fax: +971 (0)6 7447853 Email: info@sepas.ae www.sepas.ae